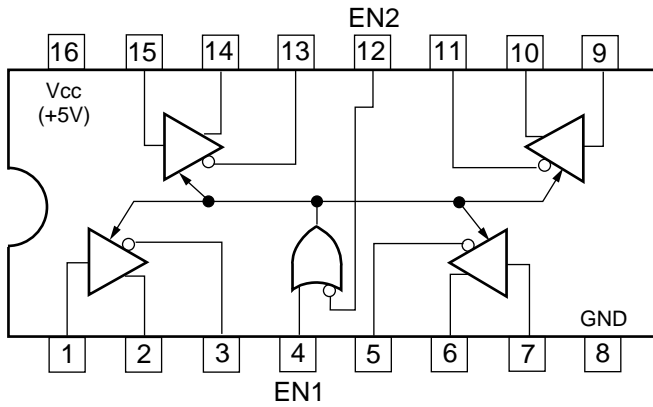


\*\*\*\*\*

# HIGH SPEED DIFFERENTIAL LINE DRIVER

-TOP VIEW-



FUNCTION TABLE

EN2	EN1	OUTPUT
0	0	ENABLE
0	1	ENABLE
1	0	HI-Z
1	1	ENABLE

0 ; LOW LEVEL

1 ; HIGH LEVEL

HI-Z ; HIGH IMPEDANCE